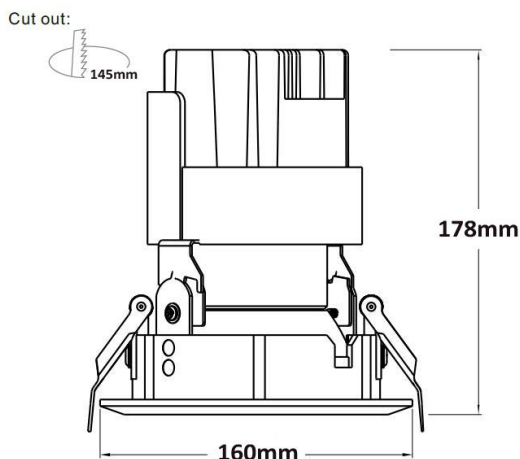


MF COB Down Light Specification

Model NO.: MF-B145030



Fixed COB Series

UGR:19 KN<10% CRI>83



IEC62031
IEC60598-1
IEC60598-2
IEC61347
Comply with Energy Star SSL

ErP CE



Adjustable head

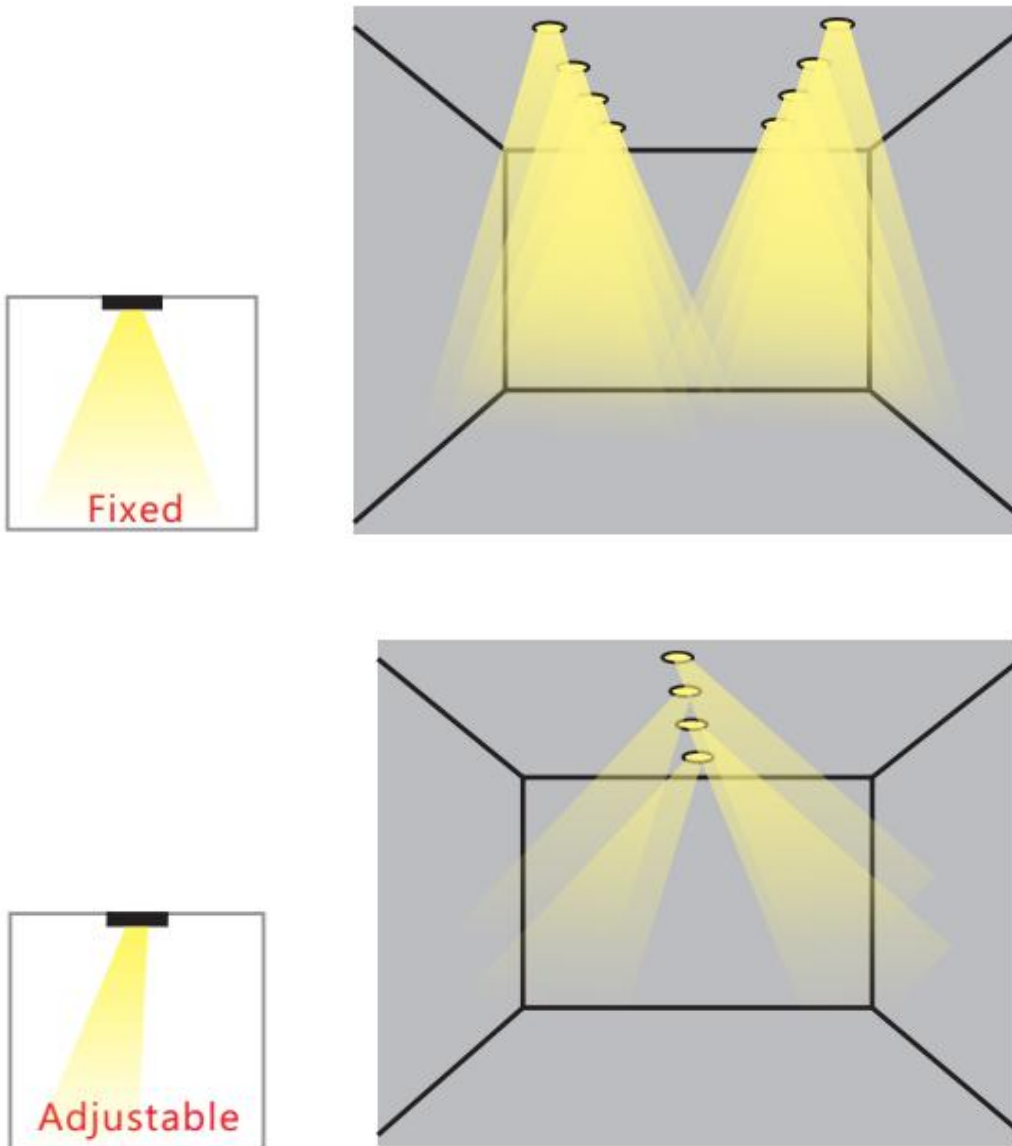
Fixed head



Narrow Beam Angle:



Adjustable/Fixed head available:



Product Parameters:

Input voltage	220-240Vac, 50hz/60hz
Product Size	Φ 160*178mm
Cut out Size	Φ 145mm
Power(watt)	30W
Color temperature	3000K / 4000K / 5000K
LED Chip	Cree COB(CXA1820)
LED Driver	Lifud
PF	≥0.95
Housing Colour	White RAL9003
Luminous Flux (lm)	2700lm@3000K, 2900lm@4000K, 3000lm@5000K
CRI (Ra)	>83
Lifespan	≥50000hrs
Beam Angle	10° / 15° / 24° / 38°
Material	Aluminum Alloy
Operating Temperature	-20°C ~50°C
Head type	Adjustable/Fix head
IP	IP44
Certificate	CE/ RoHS
Warranty Period	5 years

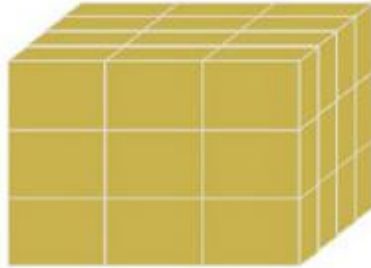
Package:



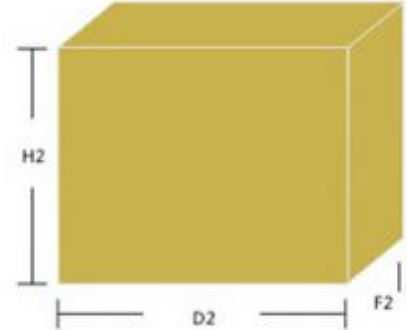
Packing Size: (CM)



18(D1)*18 (F1)*19.5cm(H1)/PCS



12PCS/CTN



57.5(D2)*39(F2)*43cm(H2)/12PCS

N.W: 14.4KG, G.W: 15.4KG

Job reference photos from Ming Feng

